

TEAC TECHNICAL INFORMATION

TASCAM SX-1/DM-24, Change of Capacitors on SW PSU

No. **0304R**
DATE 04th Mar 2003

This is the revised edition of Tech Info No. 0304 to correct a wrong pointing up an electrolytic capacitor by arrow mark (lower one) in Note of page 1/2.

Symptom:

There is a little possibility that unit won't work. In the case of DM-24, following message will be displayed on LCD upon turning on the unit, then unit will freeze.

- "Power Supply Voltage (+5V) is too Low for stable operation. Please Restart DM-24."
- "Starting Fader Calibration... ## Don't touch Faders ##"

Cause:

Premature lifetime of some electrolytic capacitors, China made. This is especially experienced on C45, C47 and C51 on the SW PSU.

- * If the lifetime has expired, swollen explosion-proof valve at top of the capacitor may be present.
- * As of date, no SX-1 problem has been reported since there is a cooling fan for the SW PSU.

Solution:

Change totally 7 electrolytic capacitors to longer lifetime type or higher heat-proof made by Nippon Chemi-Con. Practical work is shown in page 2 of 2.

* This change has been made on the products as follows:

SX-1: S/N 190011 and up

DM-24: S/N 2Z00001 and up

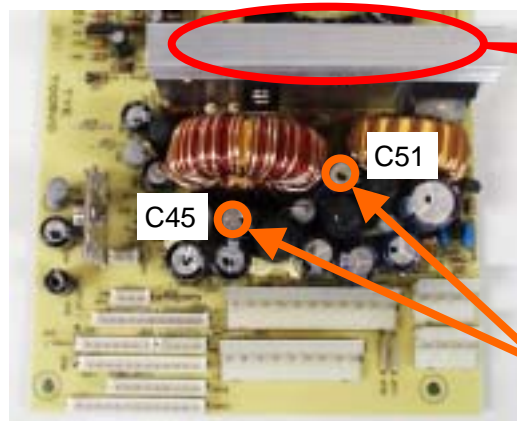
SX-1/DM-24: TCJ stock has been reworked and "3A" mark is stamped on their carton box.

* P/N of the SW PSU has been changed as follows:

	Former	New	Description
For 100V to 120V	91251463-00	91251463-01	SW PER, UPS220-1061-L T/C
For 220V to 240V	91251464-00	91251464-01	SW PER, UPS220-1061-H EUR

Note:

There is no print of the P/N etc anywhere on the former SW PSU but the new PSU can be identified by "01" or "02" mark stamped on the top of a heat sink as following picture. "01" means reworked SW PSU of TTC stock. "02" means the new SW PSU supplied from original manufacture.



* Early reworked SW PSU has no "01" or "02" mark. A sign of rework can be identified in case the C45 and C51 have an orange color sleeve fitted.

Change Of The 7 Electrolytic Capacitors

* Required Parts

- 2 pcs P/N 91159580-00, 470uF/16V/105°C (KY16VB470MH15)
- 2 pcs P/N 91159590-00, 1000uF/10V/125°C (GXE10VB1000M)
- 2 pcs P/N 91159600-00, 1000uF/16V/105°C (KY16VB1000MJ20)
- 1 pcs P/N 91159610-00, 2200uF/10V/105°C (KY10VB2200MK20)

* Procedure

- 1) Change C42/C43 (470uF) to P/N 91159580-00 (KY16VB470MH15).
- 2) Change C47 (2200uF) to P/N 91159610-00 (KY10VB2200MK20).
- 3) Change C48/C49 (1000uF) to P/N 91159600-00 (KY16VB1000MJ20).
- 4) Change C45/C51 (1000uF) to P/N 91159590-00 (GXE10VB1000M). --- (Orange Color Sleeve)

Note:

The capacitors to be changed have been fixed by bond firmly. To ease the change, release the capacitors from bond by inserting small flat head screw driver between them. No need to apply bond again upon change. Mount the capacitors so that undersurface of the capacitors touches to the PCB surface firmly.

